

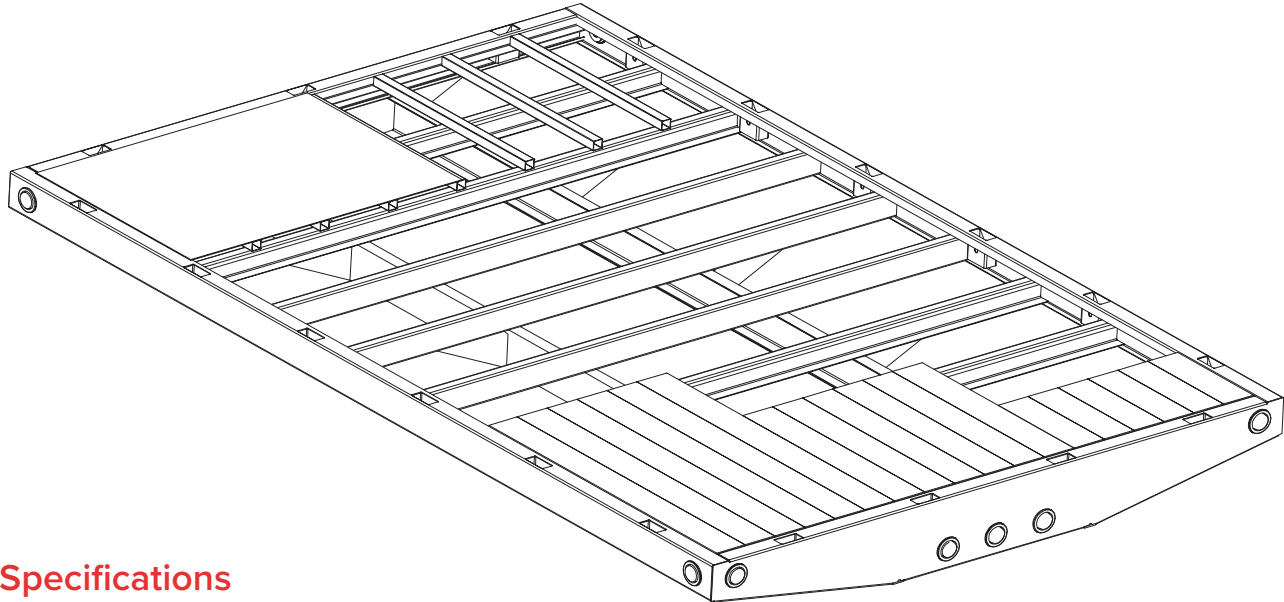


READING

— NO BODY BETTER —

PLATFORM BODIES

HEAVY-DUTY SERIES



New Specifications

- Lengths range from 9'4" to 20'4"
- Standard 96" width
- Standard floor types:
 - wood (pressure-treated yellow pine)
 - smooth steel (10-gauge)
 - deckplate (12-gauge)
 - smooth steel & wood overlay
 - deckplate & wood overlay
- Long sills are structural channel (5" height on H9–H10 models, 6" on H12–H16, 7" on H18, and 9" on H20)
- Crossmembers are 10-gauge on 16" centers (with optional upgrade to 12" centers)
- All platforms are polyester powder-coated to a 90% gloss black finish
- Platform sides include 12-gauge rub rails with internal 2x4 stake pockets on 24" centers
- Drop-in bulkheads available with 42" and 52" heights
- 100% LED lighting
- Hoist Compatible - no modifications necessary to platform understructure

* Always observe GVWR, GAWR, GCWR and legal limits.

Stake Racks

- Matching stake racks are optionally available for all lengths
- Stake racks are manufactured with galvanneal-coated steel, powder-coated 90% gloss black
- Rack sets include all hardware & stake locking mechanism
- Rack sets include sides & rear racks only
- Optional adapter is available for converting rear racks to swing-out style operation

Upgraded Subframe Hoist (optional)

- Upgraded NTEA Class 40/D hoist achieves 7.7 - 14.1 Ton of rated lift capacity
- Pre-assembled to sub-frame for quick install
- Double-acting electric/hydraulic hoist with 5.5" cylinder, 2" rod and 16" stroke
- 50° maximum lift angle
- Integrated body prop included



A product of the USA



HEAVY-DUTY SERIES CONFIGURATIONS

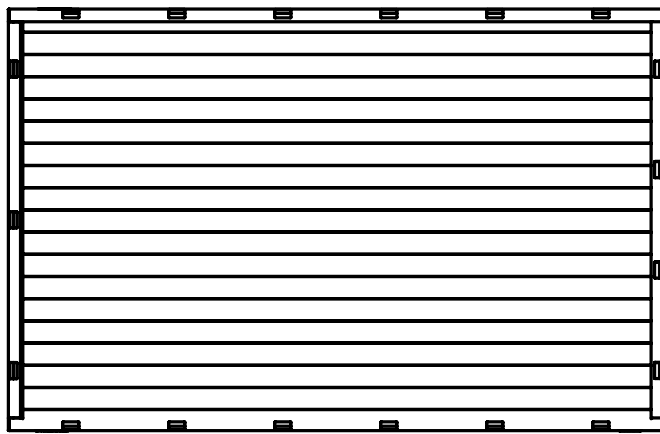
Now available to order

Heavy-Duty Platforms						
Length	Structural Long sills	Floor Type / Model			Overlay Type / Model	
		Yellow Pine	10ga Smooth	12ga Deckplate	10ga Smooth Over Pine	12ga Deckplate Over Pine
9'4"	5"	H9W	H9P	H9D	H9POL	H9DOL
10'4"	5"	H10W	H10P	H10D	H10POL	H10DOL
12'4"	6"	H12W	H12P	H12D	H12POL	H12DOL
14'4"	6"	H14W	H14P	H14D	H14POL	H14DOL
16'4"	6"	H16W	H16P	H16D	H16POL	H16DOL
18'4"	7"	H18W	H18P	H18D	H18POL	H18DOL
20'4"	9"	H20W	H20P	H20D	H20POL	H20DOL

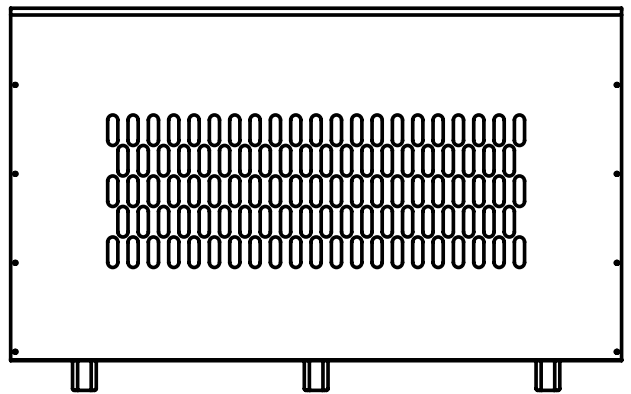
* Lengths above 20': Recommend Extra Heavy-Duty platforms

LINE DRAWINGS

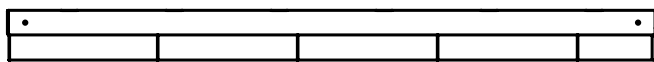
Top View



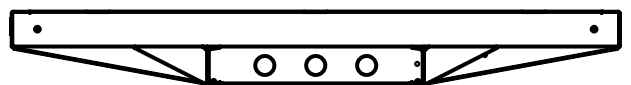
Bulkhead



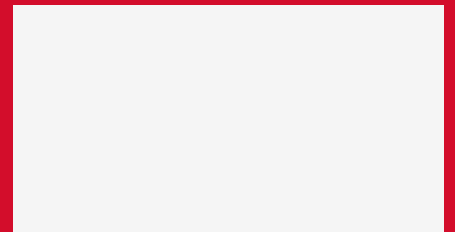
Side View



Rear View



Sold and Serviced Locally by



All dimensions subject to plus or minus tolerance of 1/4" and all dimensions and all specifications are subject to change without notice. Some items displayed in photographs are optional. Aluma-Fill, Aluma-Chock, Dual-Pro, Extend-A-Shelf, Grip-n-Glide, Latch-Matic, Marauder, Reading, Redi-Dek, Spacemaker, Tool-Mates, and are registered trademarks of Reading Truck Body, LLC in the United States and some foreign countries. The Reading Kangaroo is a trademarked image and may not be reproduced or used without express permission from Reading Truck Group.